



Warning: Before installation, commissioning, and operation, ensure that the pressure transmitter is suitable for the application in terms of measuring range, design and environmental conditions. Non-observance can result in serious injury and/or damage to equipment.

Intended use: This instrument converts pressure into an electrical signal.

The instrument has been designed and built solely for the intended use described here and may only be used accordingly. If the equipment is used in a different manner, the protection provided by the equipment may be impaired and Trafag shall not be liable for any claims at all.

Datasheets



www.trafag.com/H72614

Software Instruction

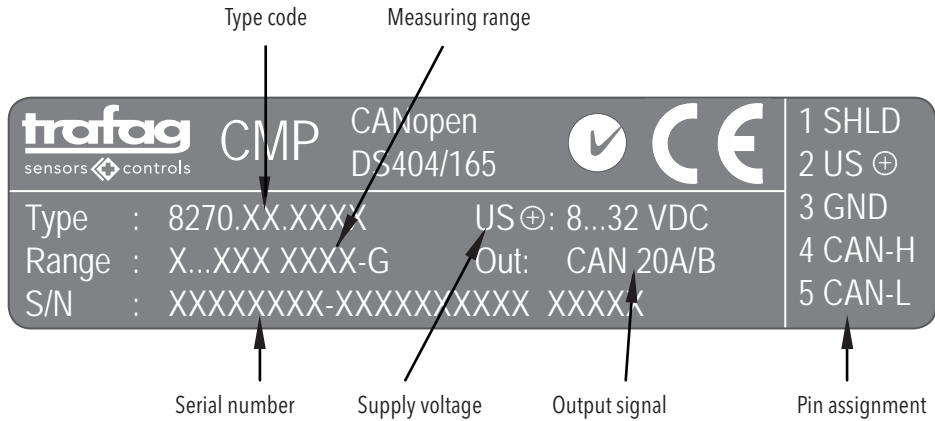


www.trafag.com/H73615

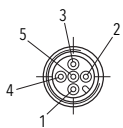
Technical specification

Mounting torque: max. 25 Nm

Type label description



Electrical connections

Designation	M12x1 5-pole												
Ambient temperature range	-40°C ... +125°C												
Pin configuration	 <table border="1"> <thead> <tr> <th>Pin</th> <th>Out</th> </tr> </thead> <tbody> <tr> <td>1</td> <td>⊕</td> </tr> <tr> <td>2</td> <td>Us+ (24VDC)</td> </tr> <tr> <td>3</td> <td>Us- (0 VDC)</td> </tr> <tr> <td>4</td> <td>CAN_High</td> </tr> <tr> <td>5</td> <td>CAN_Low</td> </tr> </tbody> </table>	Pin	Out	1	⊕	2	Us+ (24VDC)	3	Us- (0 VDC)	4	CAN_High	5	CAN_Low
Pin	Out												
1	⊕												
2	Us+ (24VDC)												
3	Us- (0 VDC)												
4	CAN_High												
5	CAN_Low												

The device is designed to be used in an industrial, electromagnetic environment in accordance with IEC 61326-2-3, IEC 61326-1, IEC 61000-6-2, IEC 61000-6-3.

CANopen-protocol

Output signal:	CAN BUS (ISO 118982)
CANopen:	DS-301 V4.0
Device profile:	DS-404 V1.2
Baudrate:	10kbit/s...1Mbit/s, Auto
Error control:	Nodeguarding, Heartbeat
Node ID:	LSS (DSP 305 V2.0) full implemented, proprietary
No. of PDO's:	4 Tx
PDO modes:	event-/time-triggered remotely requested sync (cyclic), sync (acyclic)
PDO linking:	yes
PDO mapping:	yes
No. of SDO's:	1 server
Emergency message:	yes
CiA certified:	yes